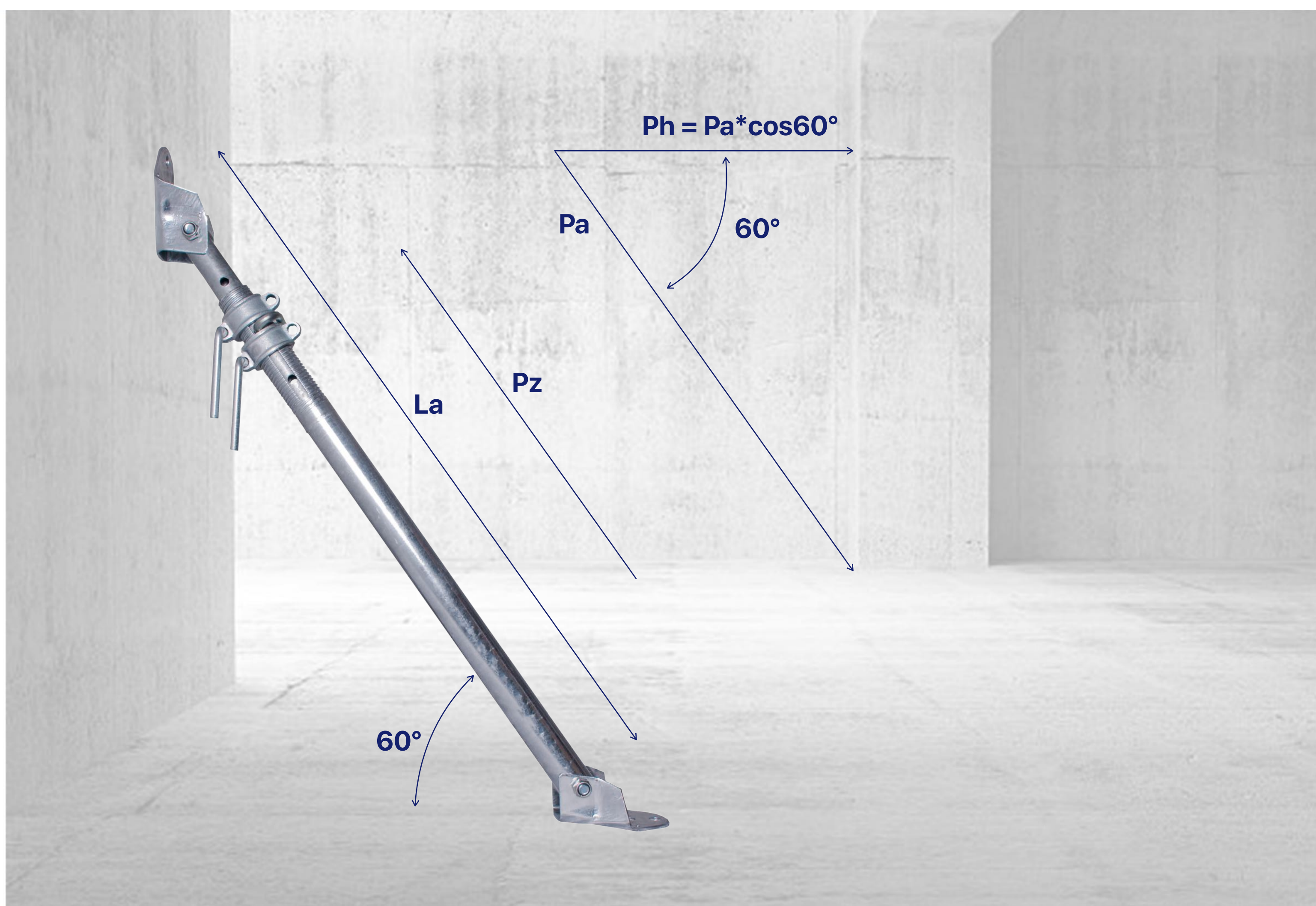


WYPORA PIONUJĄCA MOD. C1

| ROZBUDOW (La) | PTS 3000 C1 | | | PTS 3400 C1 | | | PTS 4000 C1 | | | PTS 4500 C1 | | | PTS 5000 C1 | | |
|------------------|-------------|---------|---------|-------------|---------|---------|-------------|---------|---------|-------------|---------|---------|-------------|---------|---------|
| | Kompresja | | Trakcja | Kompresja | | Trakcja | Kompresja | | Trakcja | Kompresja | | Trakcja | Kompresja | | Trakcja |
| | Ph (kN) | Pa (kN) | Pz (kN) | Ph (kN) | Pa (kN) | Pz (kN) | Ph (kN) | Pa (kN) | Pz (kN) | Ph (kN) | Pa (kN) | Pz (kN) | Ph (kN) | Pa (kN) | Pz (kN) |
| 5,00 | | | | | | | | | | | | | 2,60 | 5,20 | 38,00 |
| 4,90 | | | | | | | | | | | | | 2,75 | 5,50 | 38,00 |
| 4,80 | | | | | | | | | | | | | 2,90 | 5,80 | 38,00 |
| 4,70 | | | | | | | | | | | | | 3,10 | 6,20 | 38,00 |
| 4,60 | | | | | | | | | | | | | 3,25 | 6,50 | 38,00 |
| 4,50 | | | | | | | | | | 3,20 | 6,40 | 38,00 | 3,55 | 7,10 | 38,00 |
| 4,40 | | | | | | | | | | 3,35 | 6,70 | 38,00 | 3,85 | 7,70 | 38,00 |
| 4,30 | | | | | | | | | | 3,60 | 7,20 | 38,00 | 4,05 | 8,10 | 38,00 |
| 4,20 | | | | | | | | | | 3,80 | 7,60 | 38,00 | 4,20 | 8,40 | 38,00 |
| 4,10 | | | | | | | | | | 4,05 | 8,10 | 38,00 | 4,55 | 9,10 | 38,00 |
| 4,00 | | | | | | | 4,05 | 8,10 | 38,00 | 4,35 | 8,70 | 38,00 | 4,90 | 9,80 | 38,00 |
| 3,90 | | | | | | | 4,35 | 8,70 | 38,00 | 4,65 | 9,30 | 38,00 | 5,30 | 10,60 | 38,00 |
| 3,80 | | | | | | | 4,65 | 9,30 | 38,00 | 5,05 | 10,10 | 38,00 | 5,80 | 11,60 | 38,00 |
| 3,70 | | | | | | | 5,00 | 10,00 | 38,00 | 5,45 | 10,90 | 38,00 | 6,40 | 12,80 | 38,00 |
| 3,60 | | | | | | | 5,40 | 10,80 | 38,00 | 5,90 | 11,80 | 38,00 | 7,10 | 14,20 | 38,00 |
| 3,50 | | | | | | | 5,85 | 11,70 | 38,00 | 6,45 | 12,90 | 38,00 | 8,00 | 16,00 | 38,00 |
| 3,40 | | | | 5,75 | 11,50 | 41,90 | 6,35 | 12,70 | 38,00 | 7,10 | 14,20 | 38,00 | 9,15 | 18,30 | 38,00 |
| 3,30 | | | | 6,25 | 12,50 | 41,90 | 6,95 | 13,90 | 38,00 | 7,85 | 15,70 | 38,00 | 10,70 | 21,40 | 38,00 |
| 3,20 | | | | 6,80 | 13,60 | 41,90 | 7,60 | 15,20 | 38,00 | 8,80 | 17,60 | 38,00 | 12,70 | 25,40 | 38,00 |
| 3,10 | | | | 7,40 | 14,80 | 41,90 | 8,45 | 16,90 | 38,00 | 10,05 | 20,10 | 38,00 | 14,00 | 28,00 | 38,00 |
| 3,00 | 7,00 | 14,00 | 41,90 | 8,10 | 16,20 | 41,90 | 9,45 | 18,90 | 38,00 | 11,70 | 23,40 | 38,00 | 14,50 | 29,00 | 38,00 |
| 2,90 | 7,65 | 15,30 | 41,90 | 8,95 | 17,90 | 41,90 | 10,70 | 21,40 | 38,00 | 14,05 | 28,10 | 38,00 | | | |
| 2,80 | 8,40 | 16,80 | 41,90 | 10,00 | 20,00 | 41,90 | 12,35 | 24,70 | 38,00 | 17,15 | 34,30 | 38,00 | | | |
| 2,70 | 9,25 | 18,50 | 41,90 | 11,25 | 22,50 | 41,90 | 14,60 | 29,20 | 38,00 | 18,45 | 36,90 | 38,00 | | | |
| 2,60 | 10,20 | 20,40 | 41,90 | 12,85 | 25,70 | 41,90 | 17,90 | 35,80 | 38,00 | 19,00 | 38,00 | 38,00 | | | |
| 2,50 | 11,35 | 22,70 | 41,90 | 14,95 | 29,90 | 41,90 | 19,00 | 38,00 | 38,00 | | | | | | |
| 2,40 | 12,75 | 25,50 | 41,90 | 17,85 | 35,70 | 41,90 | 19,00 | 38,00 | 38,00 | | | | | | |
| 2,30 | 14,50 | 29,00 | 41,90 | 19,50 | 39,00 | 41,90 | | | | | | | | | |
| 2,20 | 16,70 | 33,40 | 41,90 | 20,95 | 41,90 | 41,90 | | | | | | | | | |
| 2,10 | 19,05 | 38,10 | 41,90 | | | | | | | | | | | | |
| 2,00 | 20,95 | 41,90 | 41,90 | | | | | | | | | | | | |
| 1,90 | 20,95 | 41,90 | 41,90 | | | | | | | | | | | | |
| 1,80 | 20,95 | 41,90 | 41,90 | | | | | | | | | | | | |

Współczynnik bezpieczeństwa: 2



WYPORA PIONUJĄCA MOD. C2

| ROZBUDOW (La) (metry) | PTS 3000 C2 | | | PTS 4000 C2 | | | PTS 5400 C2 | | |
|-----------------------------|-------------|---------|---------|-------------|---------|---------|-------------|---------|---------|
| | Kompresja | | Trakcja | Kompresja | | Trakcja | Kompresja | | Trakcja |
| | Ph (kN) | Pa (kN) | Pz (kN) | Ph (kN) | Pa (kN) | Pz (kN) | Ph (kN) | Pa (kN) | Pz (kN) |
| 5,40 | | | | | | | 4,05 | 8,10 | 38,00 |
| 5,30 | | | | | | | 4,35 | 8,70 | 38,00 |
| 5,20 | | | | | | | 4,65 | 9,30 | 38,00 |
| 5,10 | | | | | | | 5,00 | 10,00 | 38,00 |
| 5,00 | | | | | | | 5,40 | 10,80 | 38,00 |
| 4,90 | | | | | | | 5,85 | 11,70 | 38,00 |
| 4,80 | | | | | | | 6,35 | 12,70 | 38,00 |
| 4,70 | | | | | | | 6,95 | 13,90 | 38,00 |
| 4,60 | | | | | | | 7,60 | 15,20 | 38,00 |
| 4,50 | | | | | | | 8,45 | 16,90 | 38,00 |
| 4,40 | | | | | | | 9,45 | 18,90 | 38,00 |
| 4,30 | | | | | | | 10,70 | 21,40 | 38,00 |
| 4,20 | | | | | | | 12,35 | 24,70 | 38,00 |
| 4,10 | | | | | | | 14,60 | 29,20 | 38,00 |
| 4,00 | | | | 5,75 | 11,50 | 41,90 | 17,90 | 35,80 | 38,00 |
| 3,90 | | | | 6,25 | 12,50 | 41,90 | 19,00 | 38,00 | 38,00 |
| 3,80 | | | | 6,80 | 13,60 | 41,90 | 19,00 | 38,00 | 38,00 |
| 3,70 | | | | 7,40 | 14,80 | 41,90 | | | |
| 3,60 | | | | 8,10 | 16,20 | 41,90 | | | |
| 3,50 | | | | 8,95 | 17,90 | 41,90 | | | |
| 3,40 | | | | 10,00 | 20,00 | 41,90 | | | |
| 3,30 | | | | 11,25 | 22,50 | 41,90 | | | |
| 3,20 | | | | 12,85 | 25,70 | 41,90 | | | |
| 3,10 | | | | 14,95 | 29,90 | 41,90 | | | |
| 3,00 | 7,00 | 14,00 | 41,90 | 17,85 | 35,70 | 41,90 | | | |
| 2,90 | 7,65 | 15,30 | 41,90 | 19,50 | 39,00 | 41,90 | | | |
| 2,80 | 8,40 | 16,80 | 41,90 | 20,95 | 41,90 | 41,90 | | | |
| 2,70 | 9,25 | 18,50 | 41,90 | | | | | | |
| 2,60 | 10,20 | 20,40 | 41,90 | | | | | | |
| 2,50 | 11,35 | 22,70 | 41,90 | | | | | | |
| 2,40 | 12,75 | 25,50 | 41,90 | | | | | | |
| 2,30 | 14,50 | 29,00 | 41,90 | | | | | | |
| 2,20 | 16,70 | 33,40 | 41,90 | | | | | | |
| 2,10 | 19,05 | 38,10 | 41,90 | | | | | | |
| 2,00 | 20,95 | 41,90 | 41,90 | | | | | | |
| 1,90 | 20,95 | 41,90 | 41,90 | | | | | | |
| 1,80 | 20,95 | 41,90 | 41,90 | | | | | | |

Współczynnik bezpieczeństwa: 2

